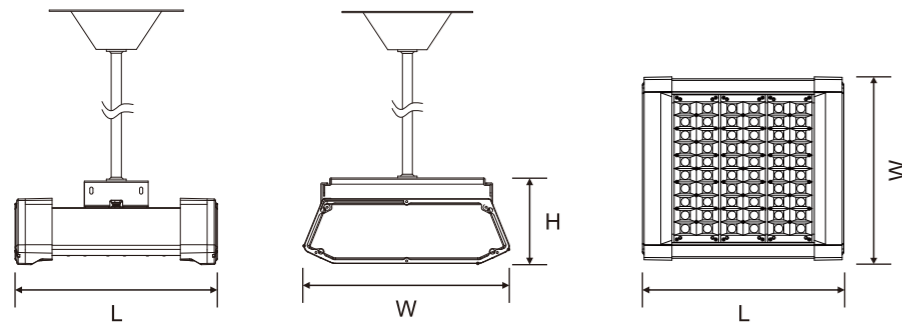


Pendant Mount LED Canopy Light

Dimensional drawing

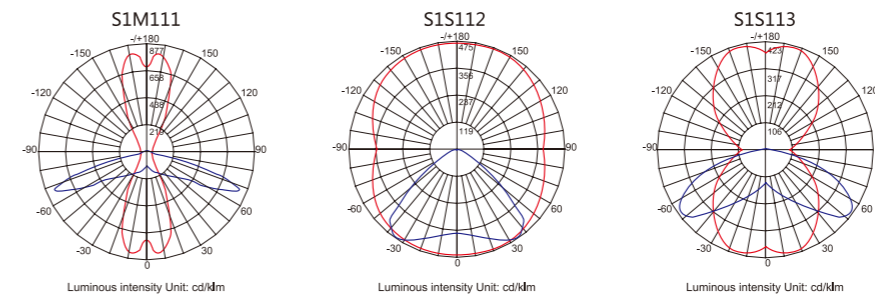


Model Number	Nominal Power (W)	System Power (W)	# of LEDs	Flux @ 5000K (lm)	Weight	Dimensions (mm)
BY2G28013	30	33	1 x 14	2640	5.00 kg	L221 x W330 x H137.5
BY2G28023	60	62	2 x 14	5270	5.60 kg	L253 x W330 x H137.5
BY2G28033	90	93	3 x 14	7905	6.25 kg	L315 x W330 x H137.5
BY2G28043	120	123	4 x 14	10455	6.98 kg	L377 x W330 x H137.5
BY2G28053	150	155	5 x 14	13175	7.68 kg	L439 x W330 x H137.5
BY2G28063	180	185	6 x 14	15725	9.33 kg	L501 x W330 x H137.5
BY2G28073	210	216	7 x 14	18360	11.60 kg	L563 x W330 x H137.5
BY2G28083	240	246	8 x 14	20910	12.12 kg	L625 x W330 x H137.5
BY2G28093	270	277	9 x 14	23545	14.30 kg	L687 x W330 x H137.5
BY2G28103	300	308	10 x 14	26180	16.18 kg	L749 x W330 x H137.5

Optical Specs:

LED Color Temperature	5000K (Options: 4000K and 3000K)
Color Rendering Index	Ra>70 (Options: Ra=75, Ra=80)
Light Distribution & LENS Kit Options	S1S112 (95°H x 85° V, low bay) S1S113 (145°H x 105°V, low bay) S1M111 (143° H x 95° V, low bay) S5M111(75°, high bay)
Operating Temperature & Humidity	-40 C ~ 50 C / 10 ~ 95RH
Storage Temperature	-20 C ~ 45 C
Classification	IP66, Class I.
L70 hours @ 25 C	100,000

Light Distribution Curve

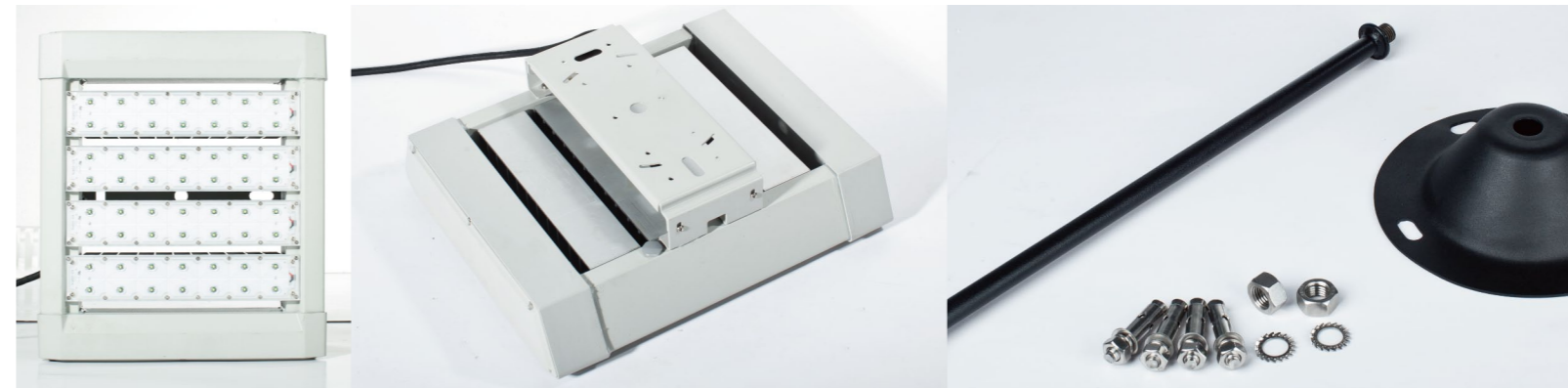


Electrical & other general Specs

Input	120~200~240~277V 50/60Hz (Option: 347~480V 50/60Hz)
Power Factor	>0.95
Drive Current	700mA (Options: 350mA, 525mA)

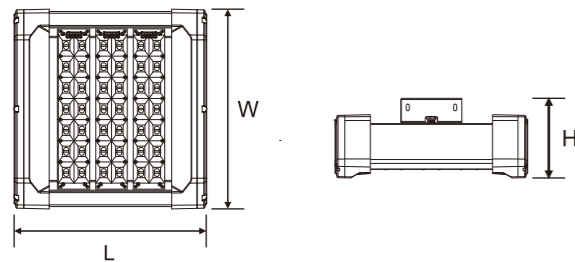
Material

Origin of LED Light Source	CREE or Lumileds
Origin of LED Driver(s)	Philips
Housing	Die cast aluminium
Heatsink	Extruded aluminium
Optics lens	Polycarbonate plastic



Surface Mount LED Canopy Light

Dimensional drawing

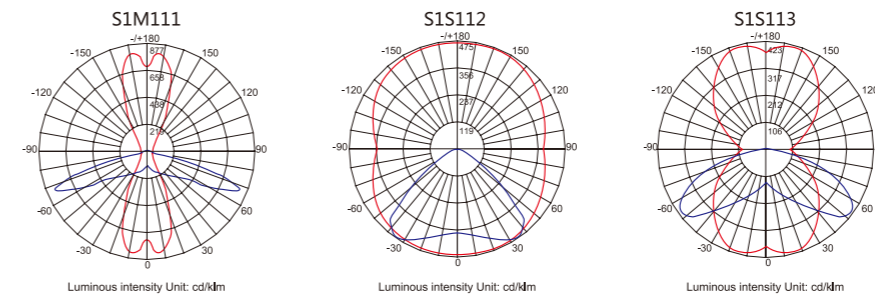


Model Number	Nominal Power (W)	System Power (W)	# of LEDs	Flux @ 5000K (lm)	Weight	Dimensions (mm)
BY2G28014	30	33	1 x 14	2640	3.4 kg	L221 x W330 x H137.5
BY2G28024	60	62	2 x 14	5270	4.3 kg	L253 x W330 x H137.5
BY2G28034	90	93	3 x 14	7905	5.3 kg	L315 x W330 x H137.5
BY2G28044	120	123	4 x 14	10455	6.3 kg	L377 x W330 x H137.5
BY2G28054	150	155	5 x 14	13175	7.3 kg	L439 x W330 x H137.5
BY2G28064	180	185	6 x 14	15725	8.3 kg	L501 x W330 x H137.5
BY2G28074	210	216	7 x 14	18360	9.3 kg	L563 x W330 x H137.5
BY2G28084	240	246	8 x 14	20910	10.3 kg	L625 x W330 x H137.5
BY2G28094	270	277	9 x 14	23545	11.3 kg	L687 x W330 x H137.5
BY2G28104	300	308	10 x 14	26180	12.3 kg	L749 x W330 x H137.5

Optical Specs:

LED Color Temperature	5000K (Options: 4000K and 3000K)
Color Rendering Index	Ra>70 (Options: Ra=75, Ra=80)
Light Distribution & LENS Kit Options	S1S112 (95°H x 85° V, Type I Short) S1S113 (145°H x 105°V, Type I Short) S1M111 (143° H x 95° V, Type I Medium)
Operating Temperature & Humidity	-40 C ~ 50 C / 10 ~ 95RH
Storage Temperature	-20 C ~ 45 C
Classification	IP66, Class I.
L70 hours @ 25 C	100,000

Light Distribution Curve



Electrical & other general Specs

Input	120~200~240~277V 50/60Hz (Option: 347~480V 50/60Hz)
Power Factor	>0.95
Drive Current	700mA (Options: 350mA, 525mA)

Material

Origin of LED Light Source	CREE or Lumileds
Origin of LED Driver(s)	Philips
Housing	Die cast aluminium
Heatsink	Extruded aluminium
Optics lens	Polycarbonate plastic

